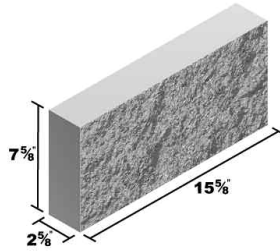
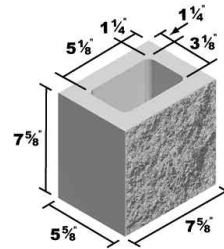


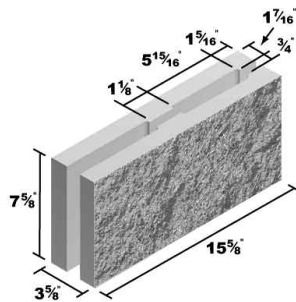
3x8x16 Solid



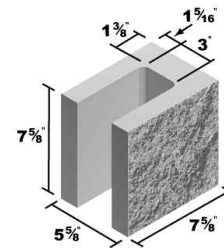
6x8x8 Half



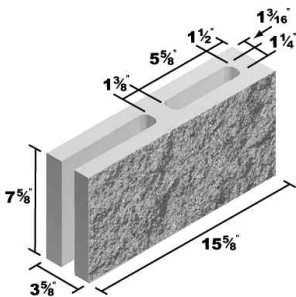
4x8x16 Open End Bond Beam



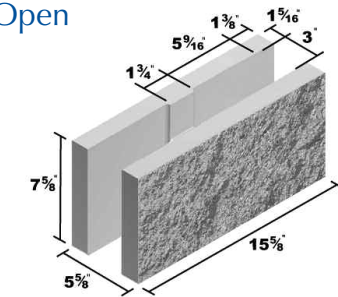
6x8x8 Lintel



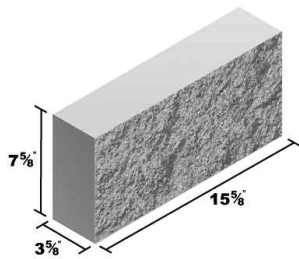
4x8x16 Open End Standard



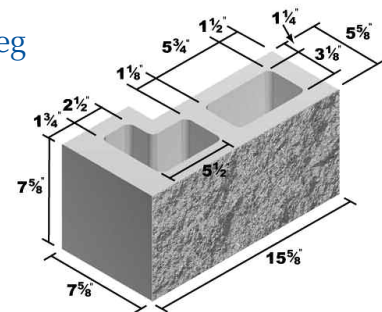
6x8x16 Double Open End Bond Beam



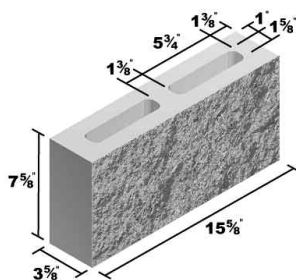
4x8x16 Solid



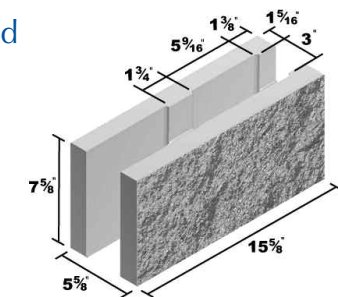
6x8x16 Dogleg



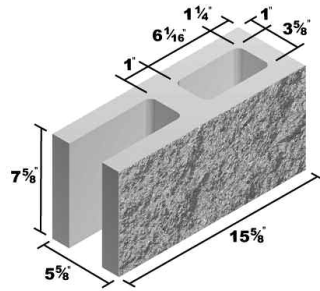
4x8x16 Standard



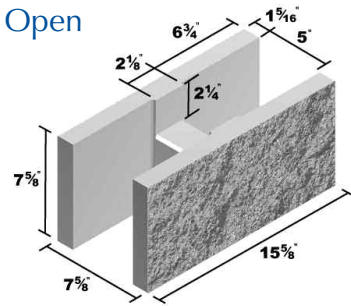
6x8x16 Open End Bond Beam



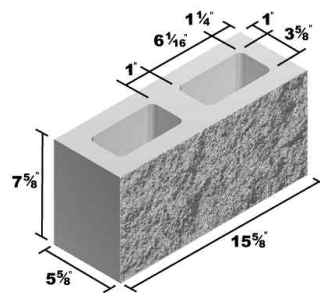
6x8x16 Open End Standard



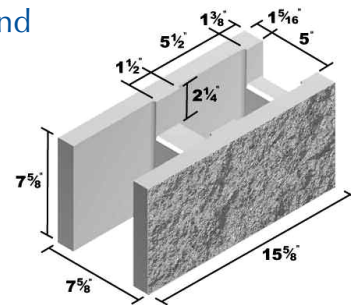
8x8x16 Double Open End Bond Beam



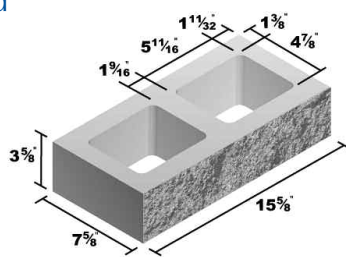
6x8x16 Standard



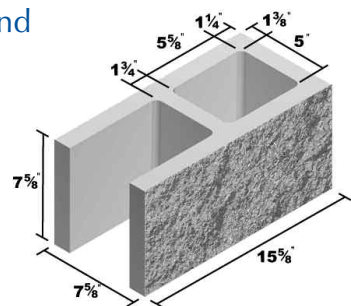
8x8x16 Open End Bond Beam



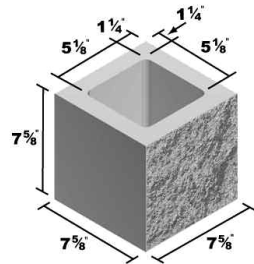
8x4x16 Standard



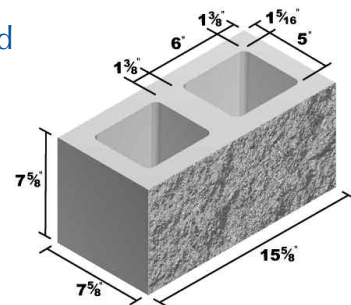
8x8x16 Open End Standard



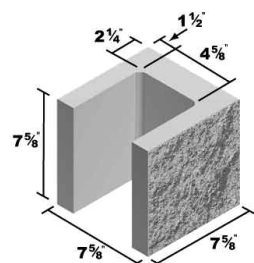
8x8x8 Half



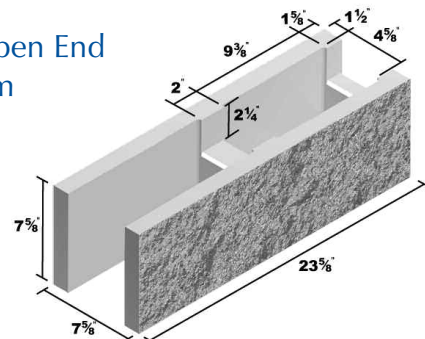
8x8x16 Standard



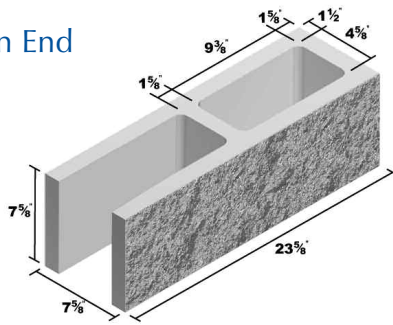
8x8x8 Lintel



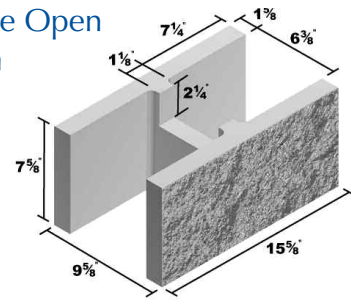
8x8x24 Open End Bond Beam



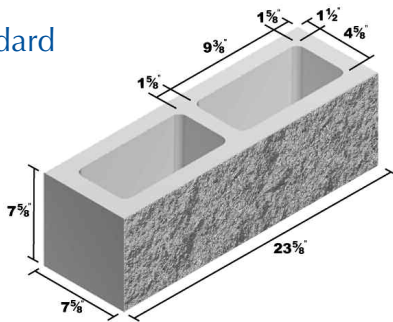
8x8x24 Open End Standard



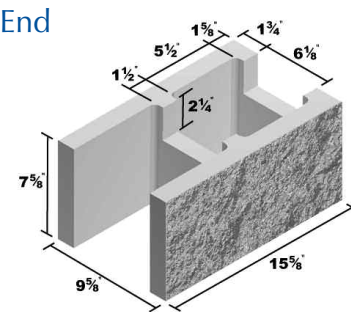
10x8x16 Double Open End Bond Beam



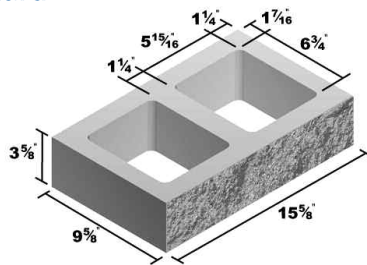
8x8x24 Standard



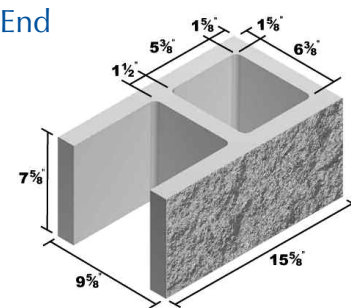
10x8x16 Open End Bond Beam



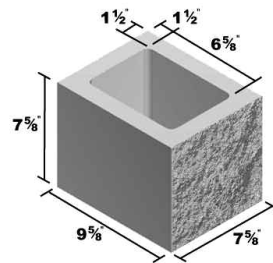
10x4x16 Standard



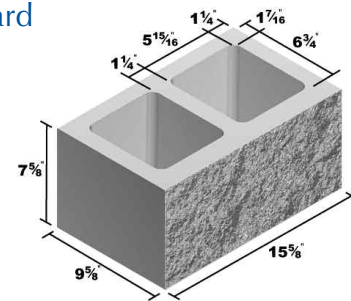
10x8x16 Open End Standard



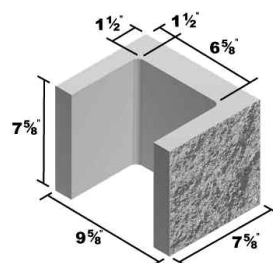
10x8x8 Half



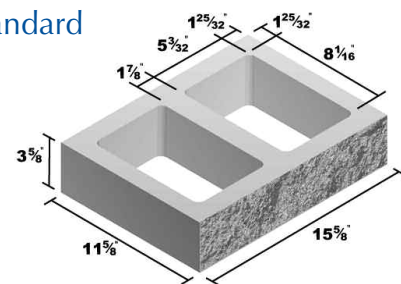
10x8x16 Standard



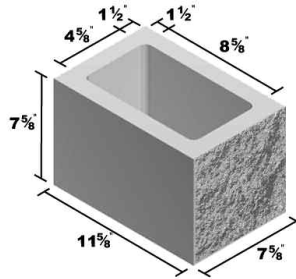
10x8x8 Lintel



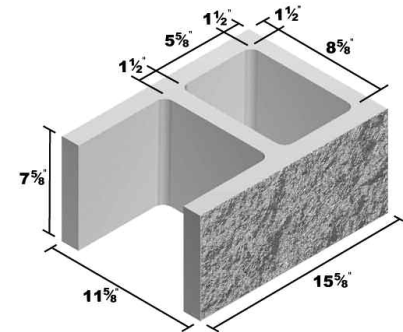
12x4x16 Standard



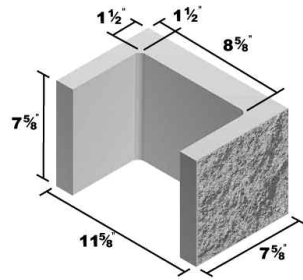
12x8x8 Half



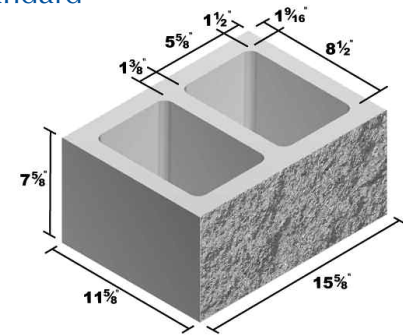
12x8x16 Open End Standard



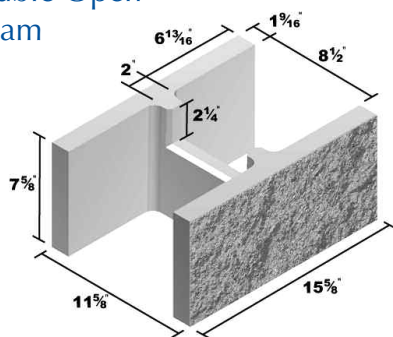
12x8x8 Lintel



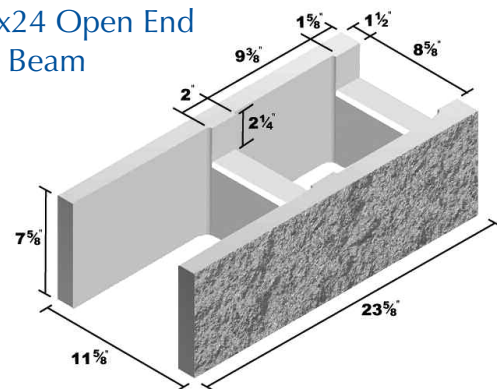
12x8x16 Standard



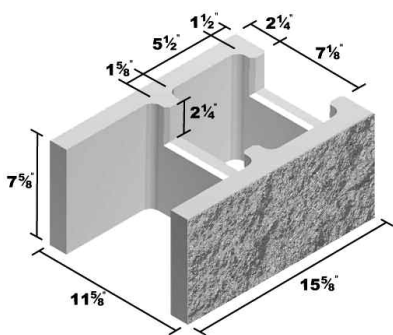
12x8x16 Double Open End Bond Beam



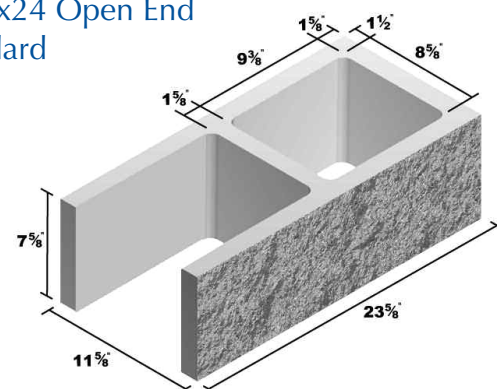
12x8x24 Open End Bond Beam



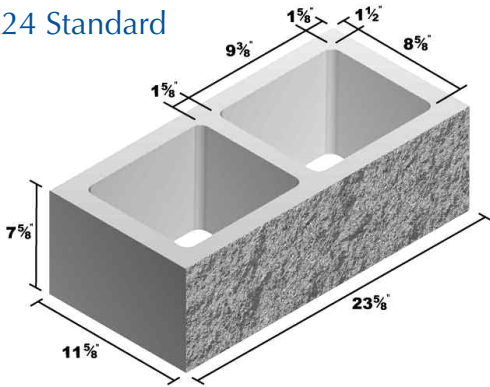
12x8x16 Open End Bond Beam



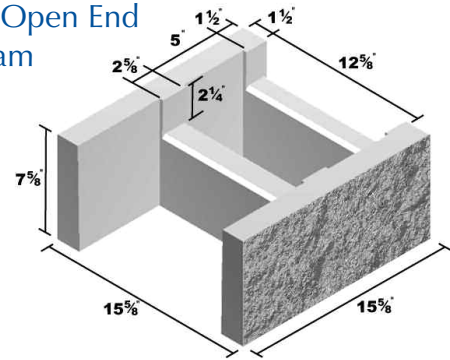
12x8x24 Open End Standard



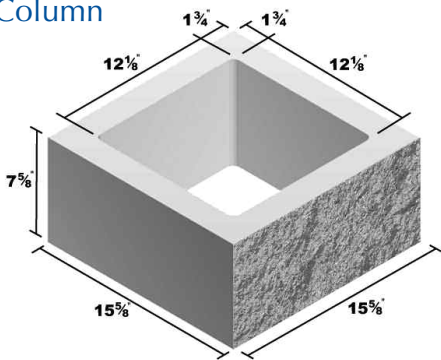
12x8x24 Standard



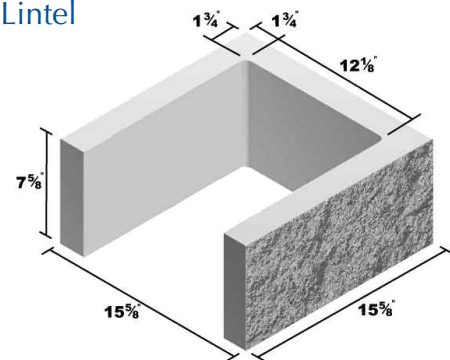
16x8x16 Open End Bond Beam



16x8x16 Column



16x8x16 Lintel



16x8x16 Double Open End Bond Beam

